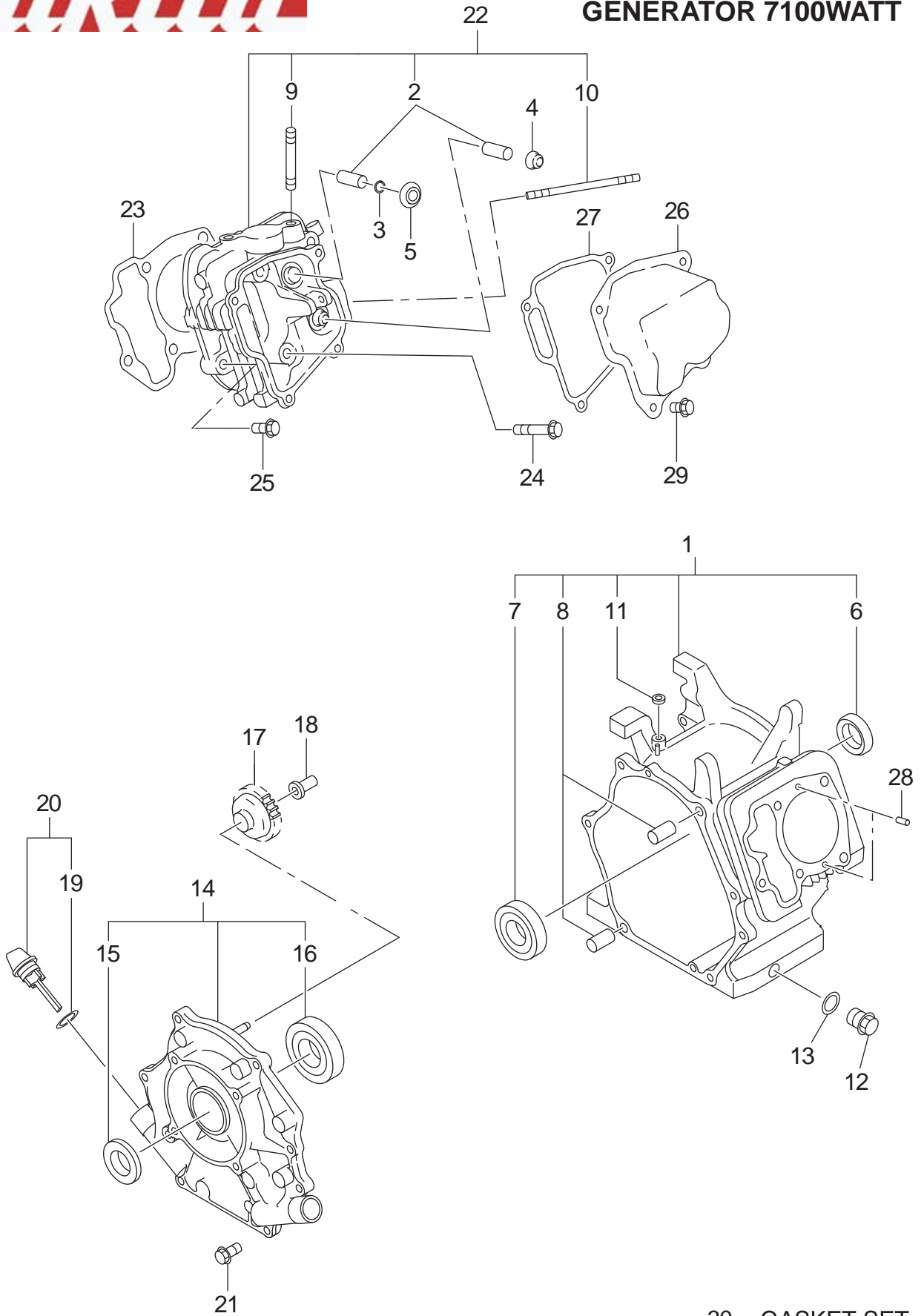




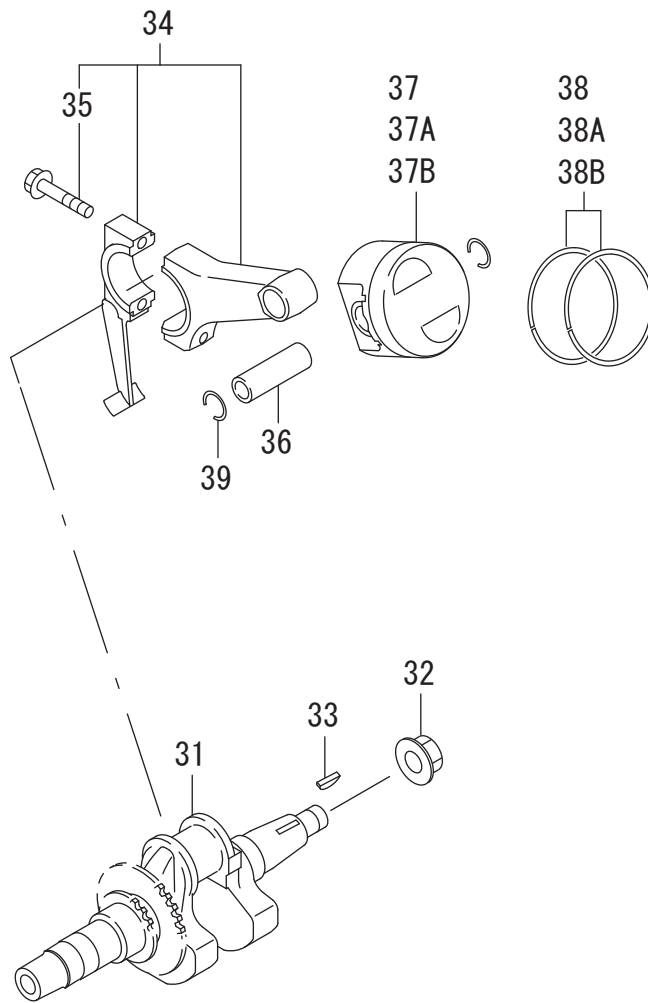
11 - 2010

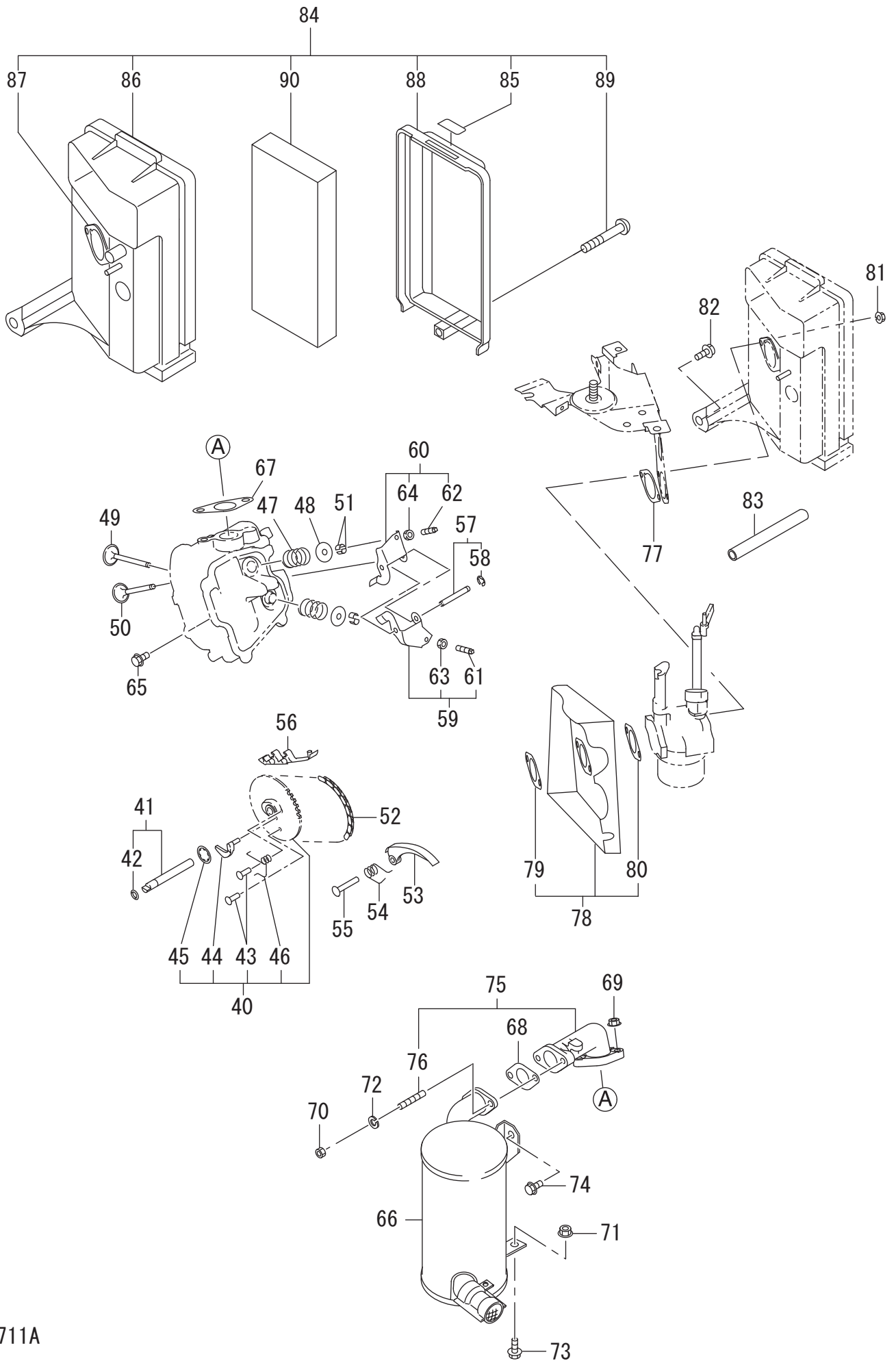
EG711A

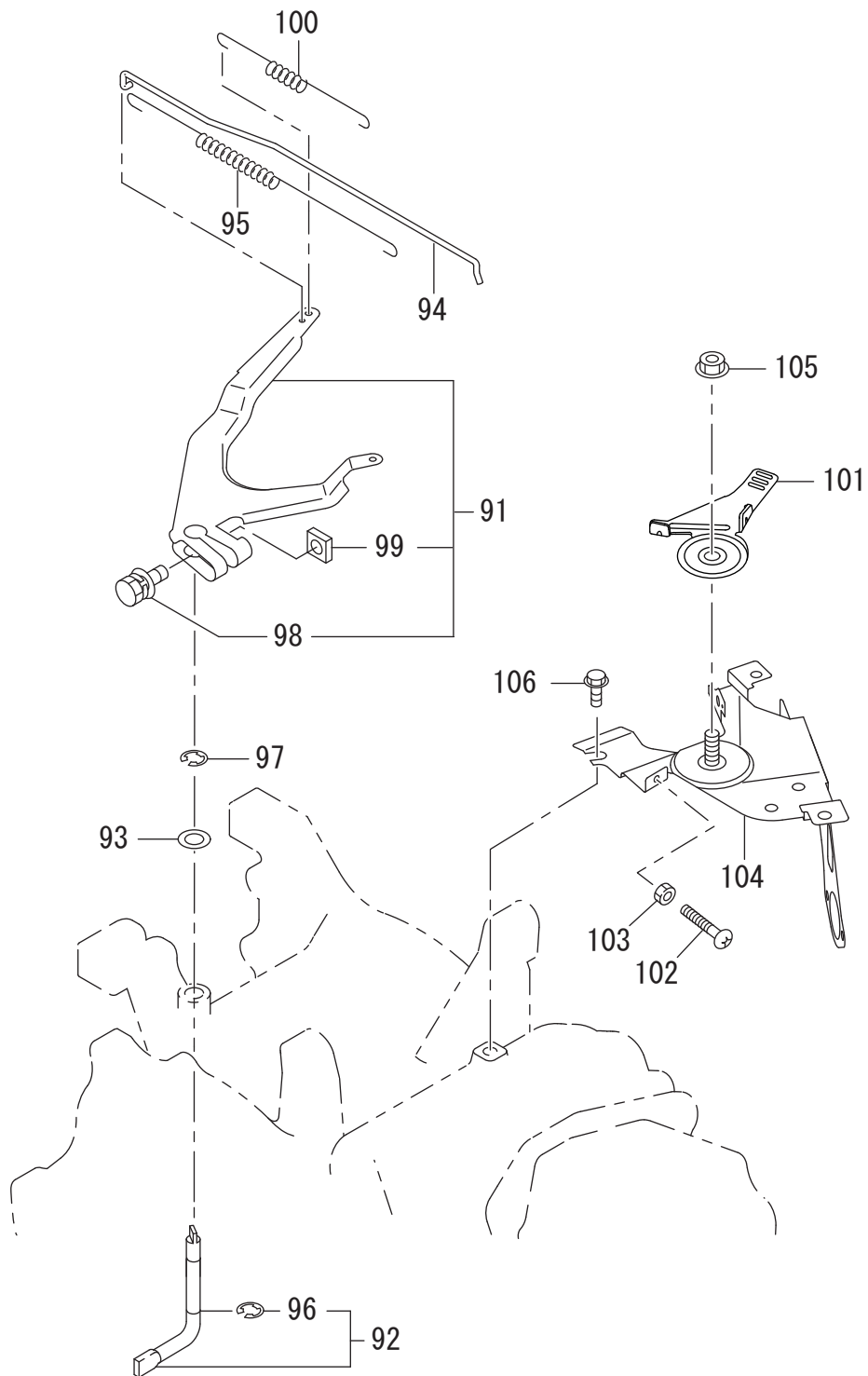
GENERATOR 7100WATT

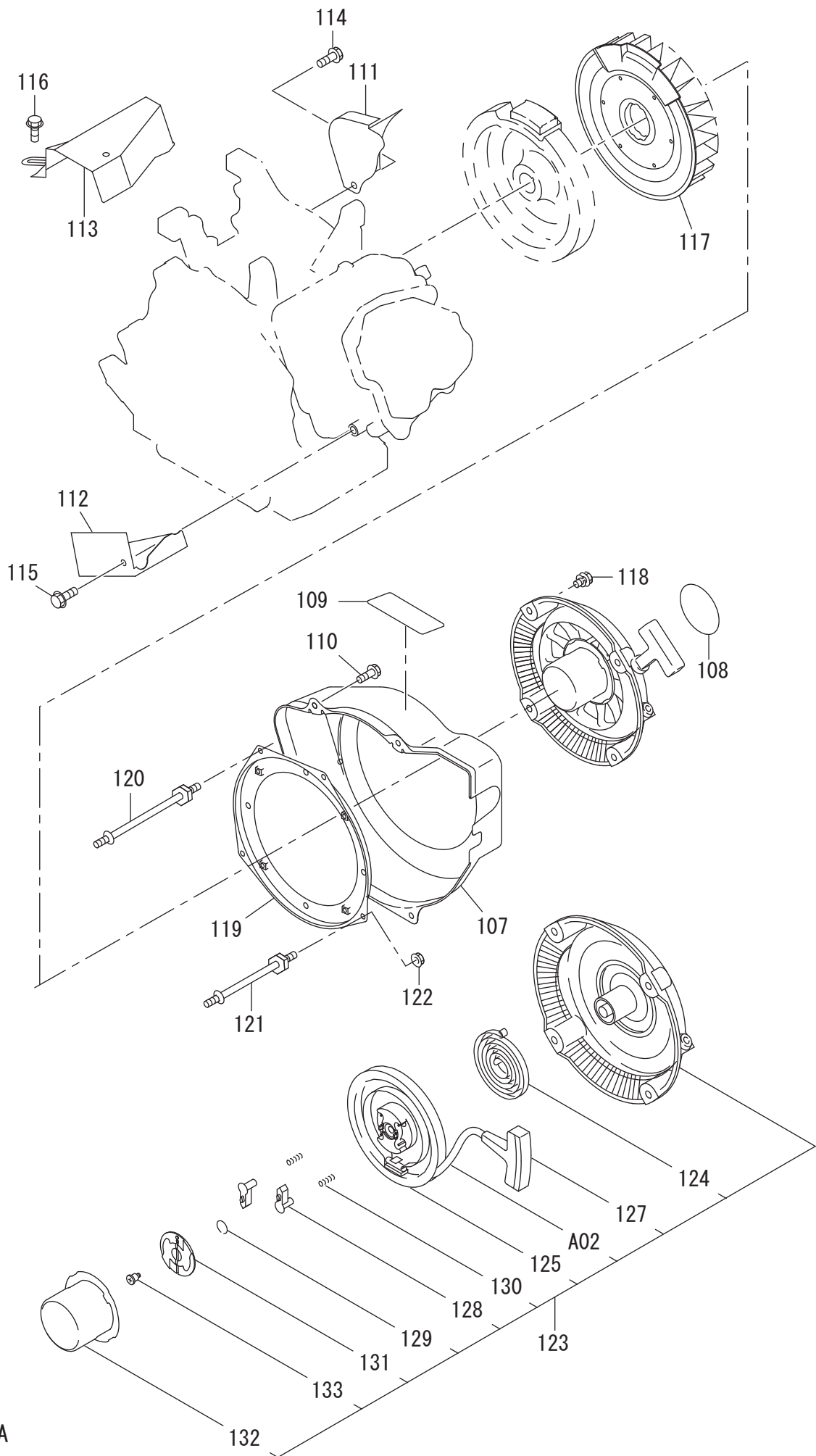


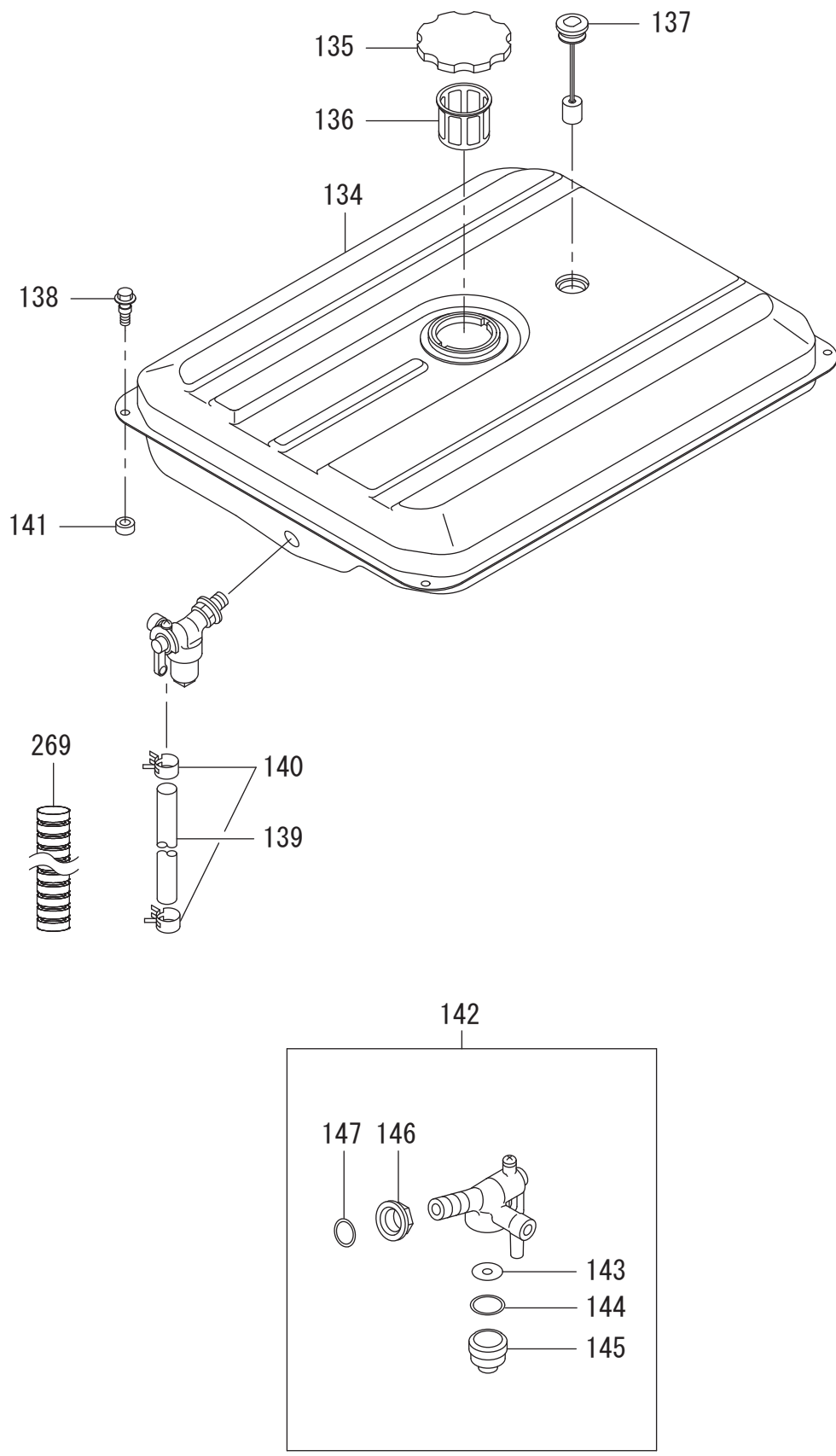
30 GASKET SET

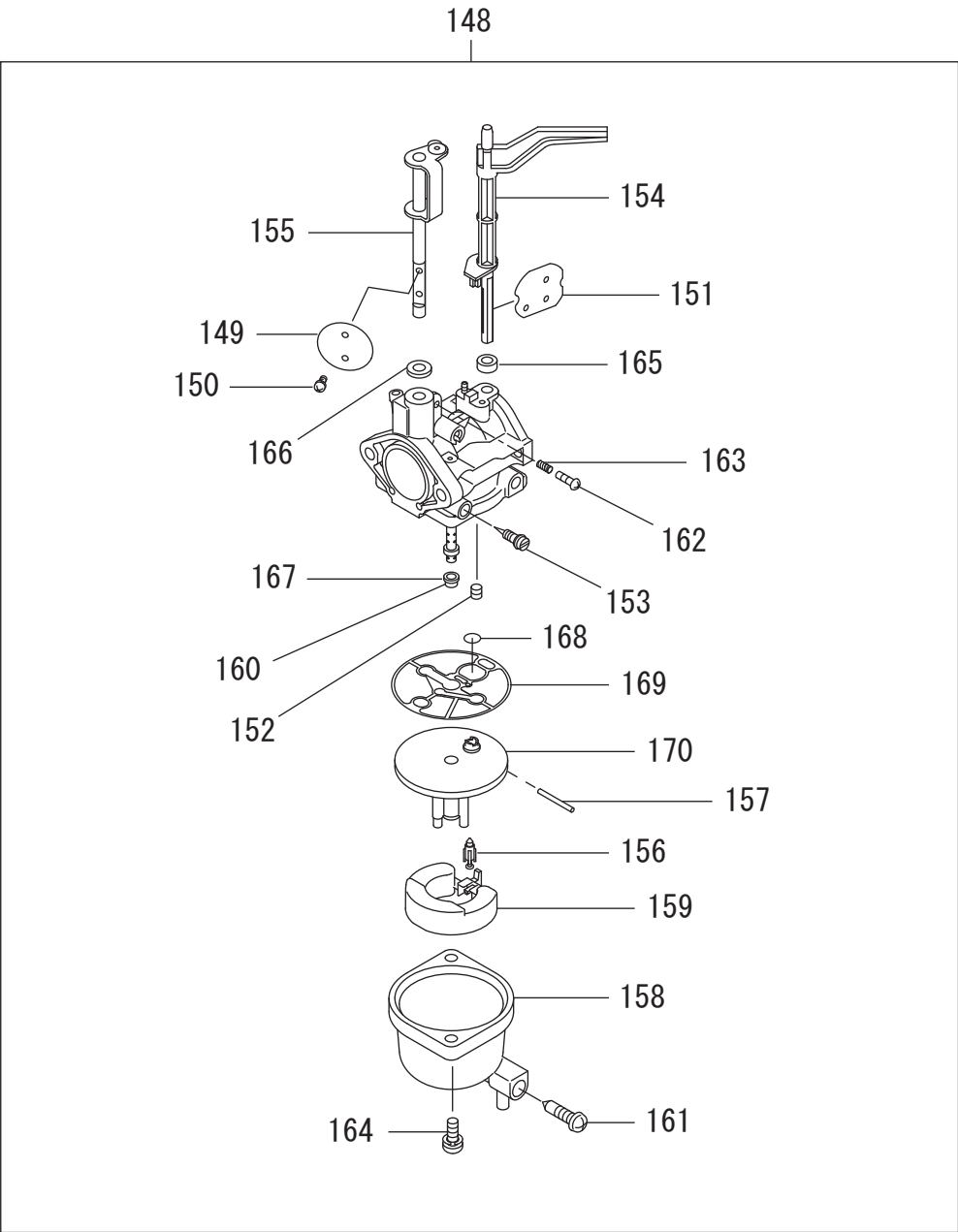


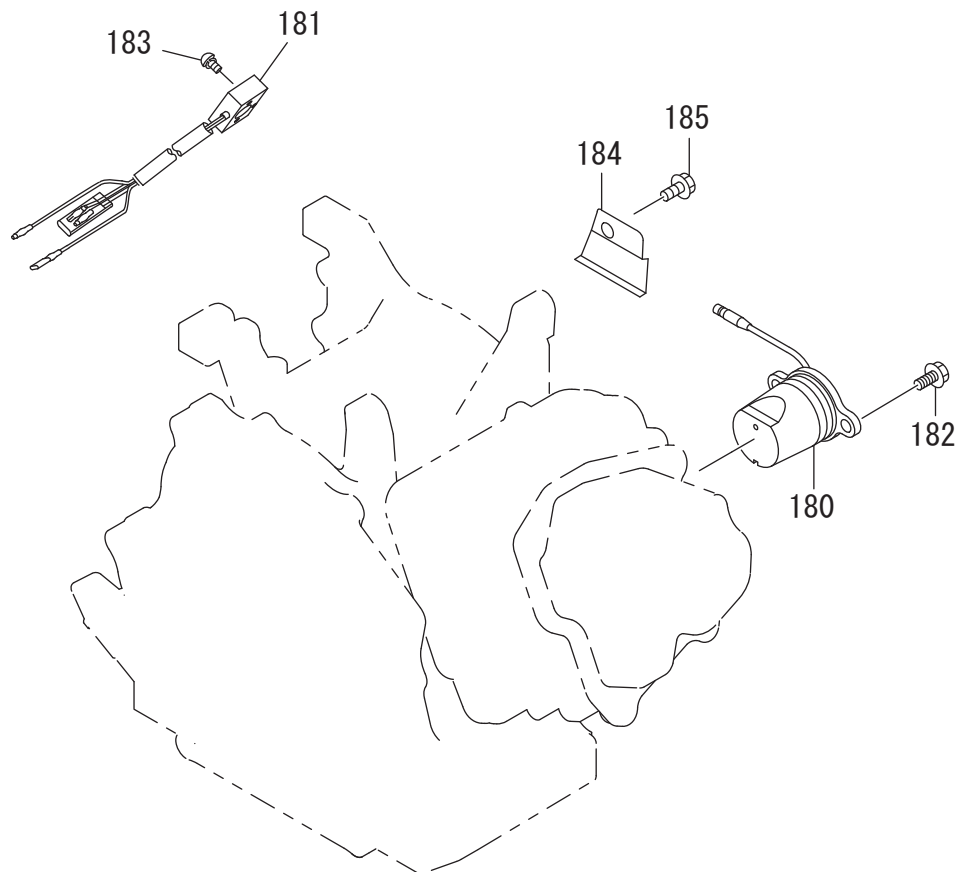
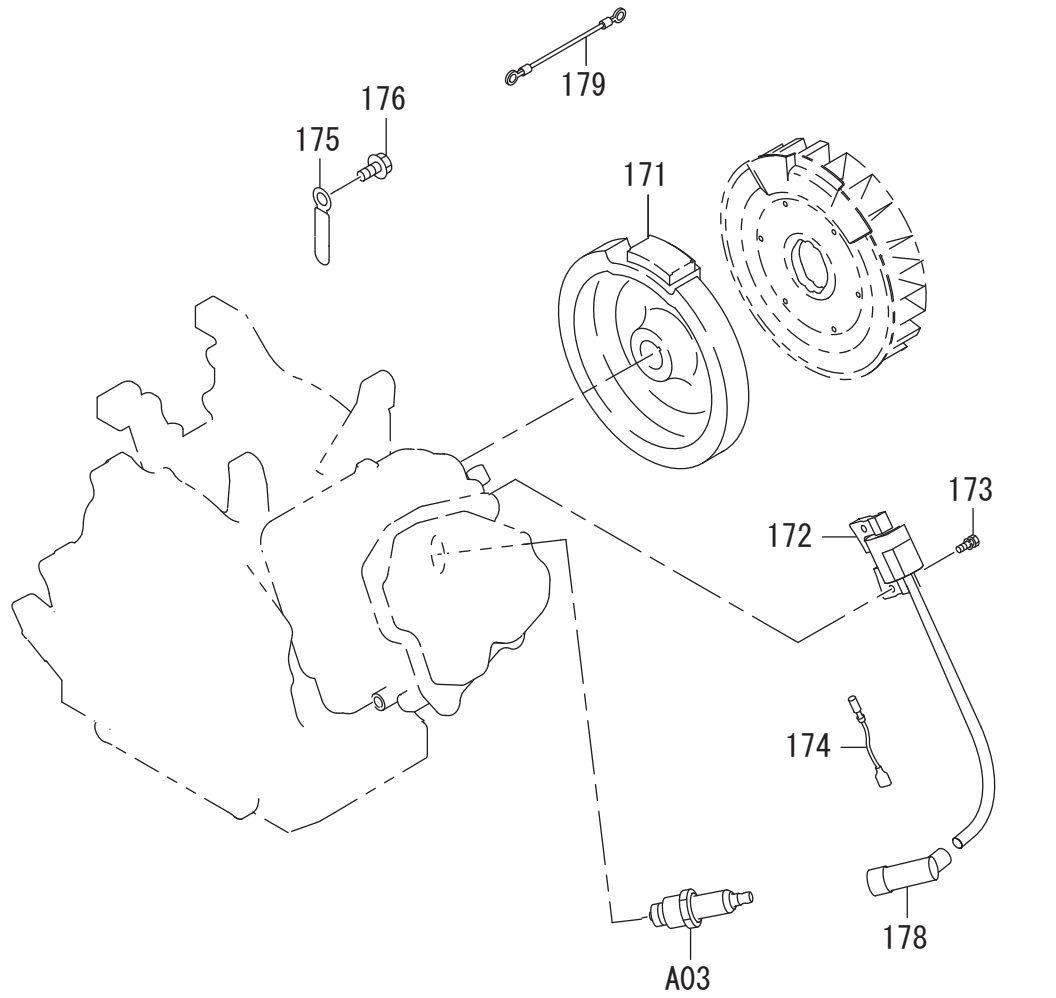


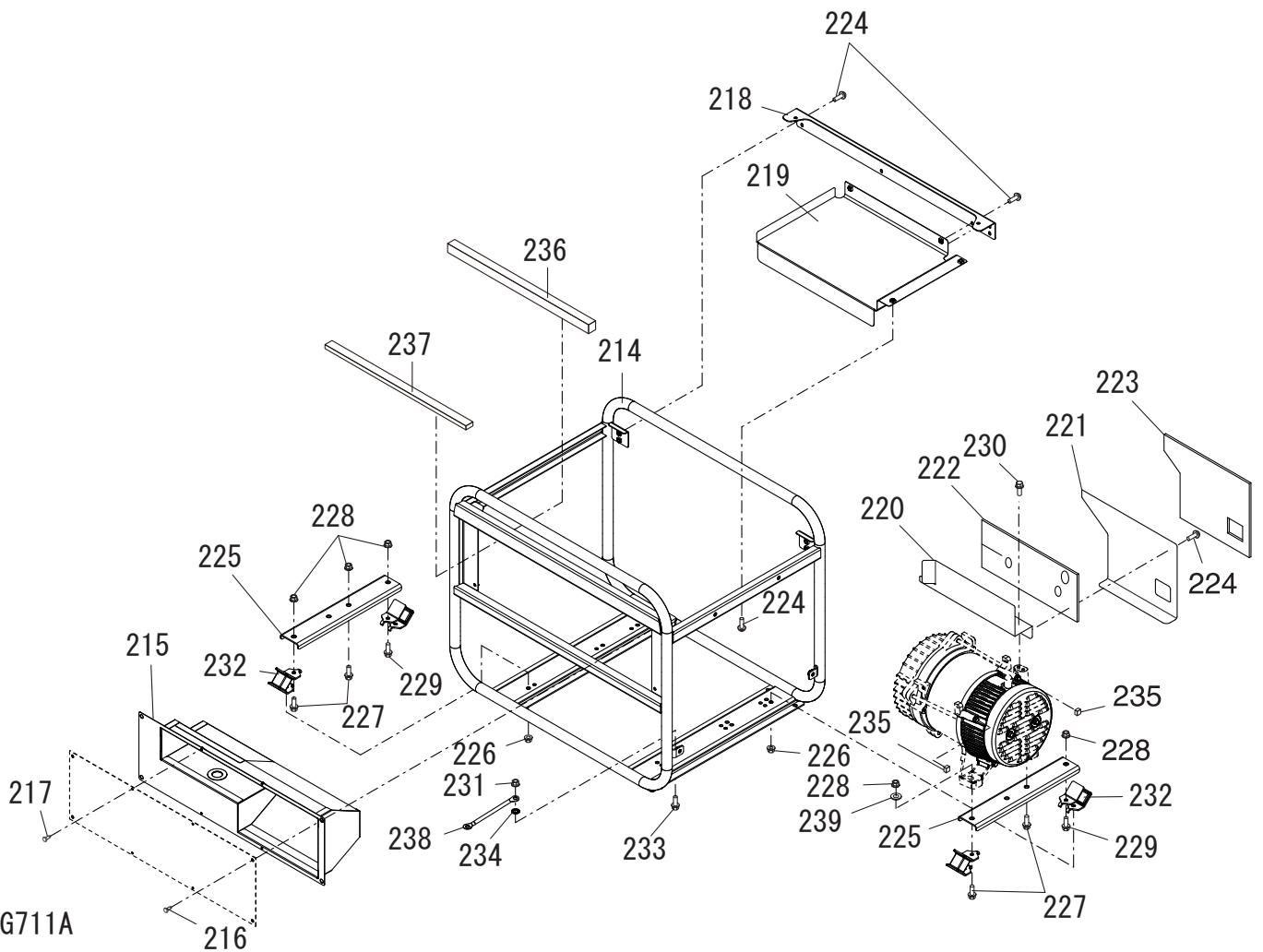
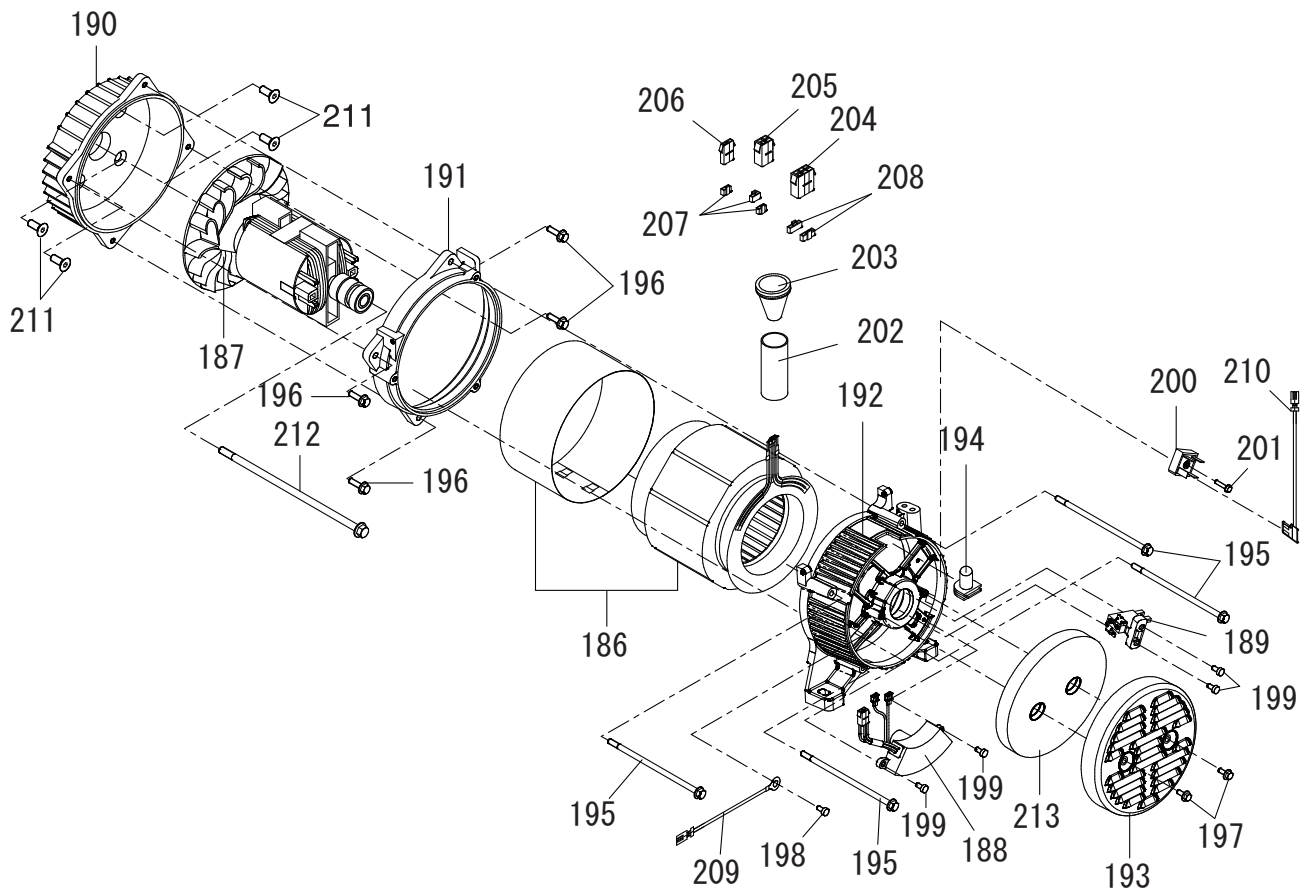


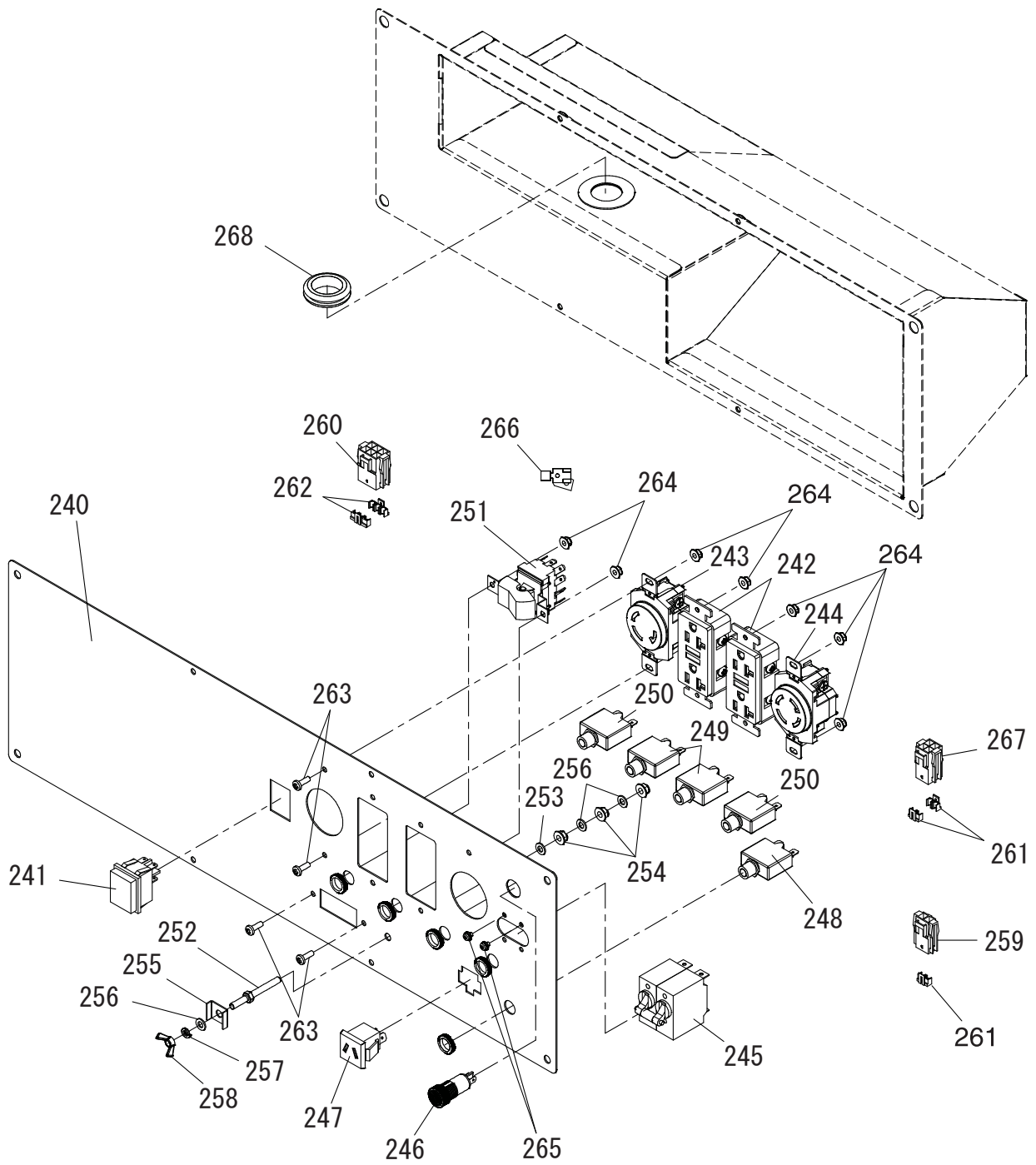


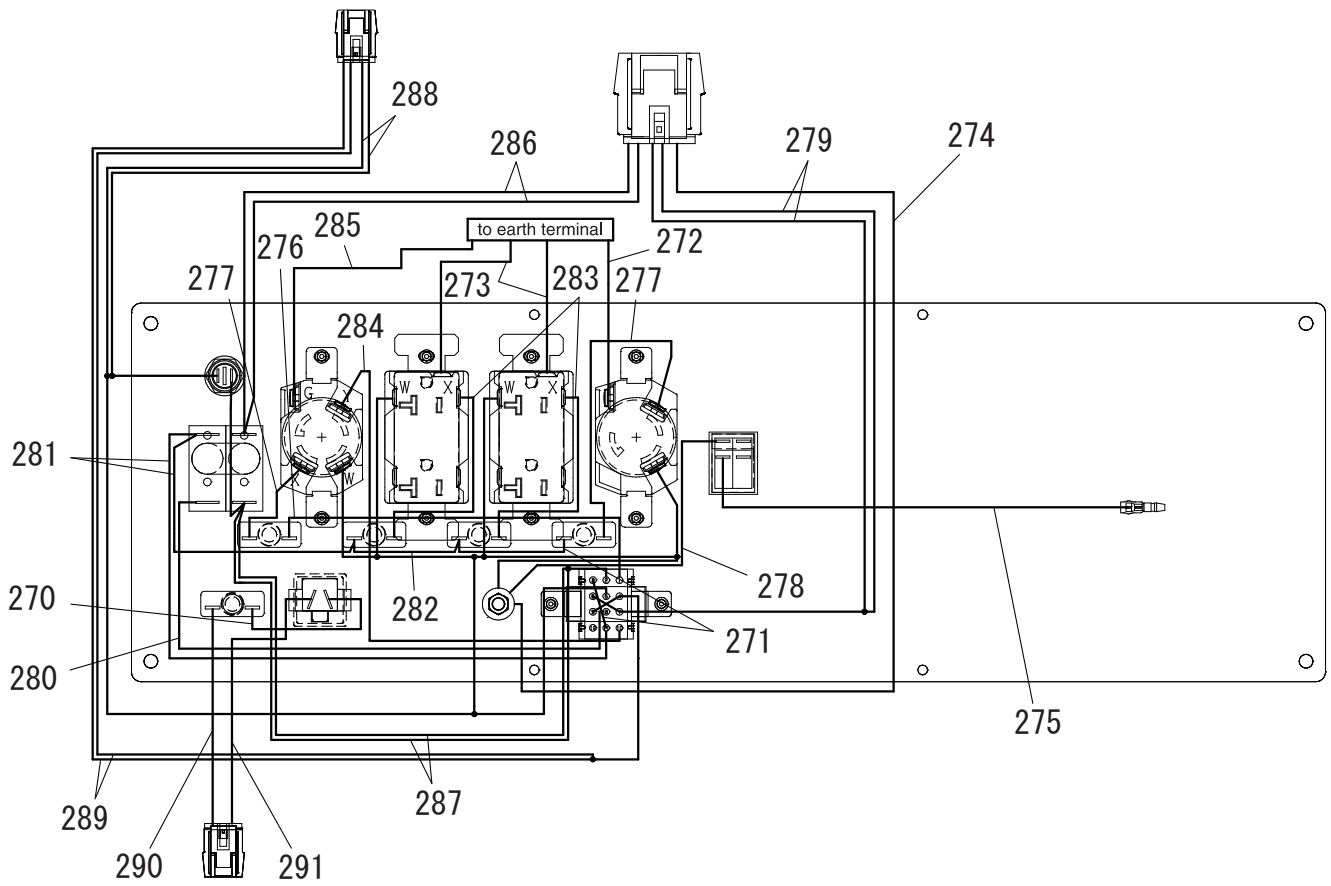


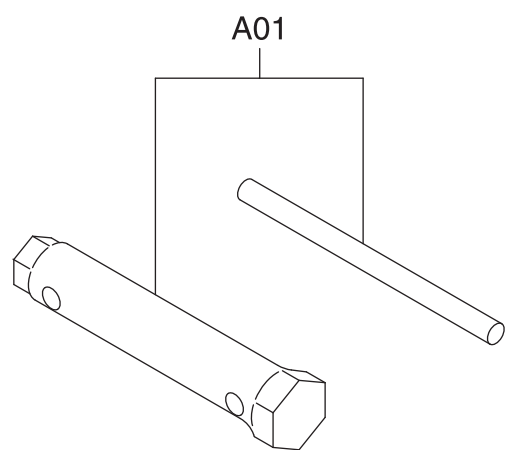
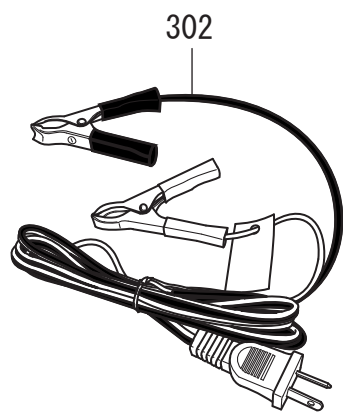
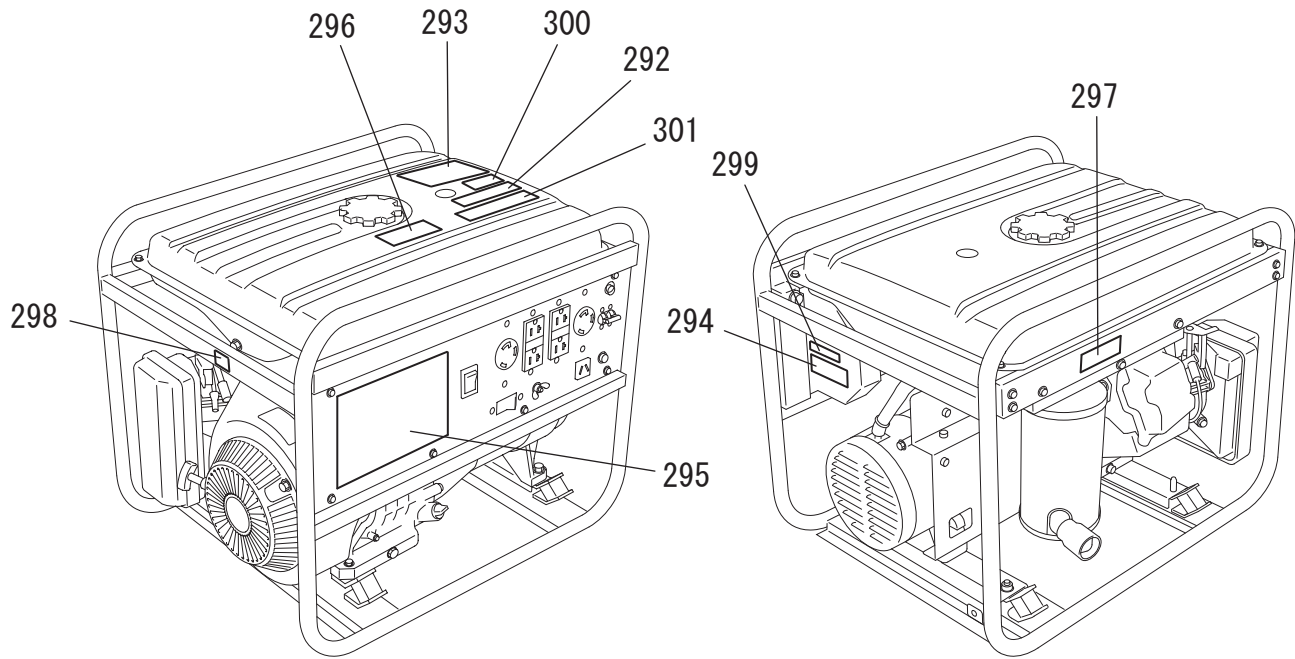












| Item No | Type | Ref | Part No | Description | Qty | Unit |
|---------|------|------|--------------|-------------------------------------|-----|------|
| 001 | 3 | | 20E-10104-41 | CRANK CASE CP | 1 | PC. |
| | | INC. | | Item No. 6-8,11 | | |
| 002 | | | 20B-14202-03 | VALVE GUIDE | 2 | PC. |
| 003 | | | 056-51000-50 | CLIP | 1 | PC. |
| 004 | | | 132-11AA1-10 | SEAL, INTAKE VALVE | 1 | PC. |
| 005 | | | 263-35341-03 | RETAINER PLATE | 1 | PC. |
| 006 | 2 | | 044-03500-91 | OIL SEAL (TB 35X48X8MM) | 1 | PC. |
| 007 | 1 | | 060-03502-40 | BALL BEARING | 1 | PC. |
| | 2 | | X60-03502-40 | BALL BEARING | 1 | PC. |
| 008 | | | 277-15011-03 | PIPE KNOCK 10.3DX8.5DX14L | 2 | PC. |
| 009 | | | 010-50802-90 | MUFFLER STUD | 2 | PC. |
| 010 | | | 010-50603-51 | STUD M6X1.0X98L | 2 | PC. |
| 011 | | | 044-00800-10 | OIL SEAL | 1 | PC. |
| 012 | | | 040-11400-30 | PLUG | 2 | PC. |
| 013 | | | 021-11400-20 | GASKET | 2 | PC. |
| 014 | 1 | | 20B-11004-11 | MAINBEARING COVER CP | 1 | PC. |
| | | INC. | | Item No. 15-16 | | |
| | 2 | | 20B-11004-21 | MAINBEARING COVER CP | 1 | PC. |
| | | INC. | | Item No. 15-16 | | |
| 015 | 2 | | 044-03500-91 | OIL SEAL (TB 35X48X8MM) | 1 | PC. |
| 016 | 1 | | 060-03502-40 | BALL BEARING | 1 | PC. |
| | 2 | | X60-03502-40 | BALL BEARING | 1 | PC. |
| 017 | 1 | | 20B-45003-01 | GOVERNOR GEAR CP | 1 | PC. |
| | 2 | | 20B-45003-11 | GOVERNOR GEAR CP | 1 | PC. |
| 018 | 2 | | 277-41902-01 | GOVERNOR SLEEVE COM | 1 | PC. |
| 019 | 3 | | 021-32000-50 | GASKET | 2 | PC. |
| 020 | | | 279-63601-30 | OIL GAUGE AY | 2 | PC. |
| | | INC. | | Item No. 19 | | |
| 021 | | | 011-00803-40 | FLANGE BOLT | 8 | PC. |
| 022 | 2 | | 20B-13001-00 | CYLINDER HEAD ASSY | 1 | PC. |
| | | INC. | | Item No. 2-4, 9-10, | | |
| 023 | 1 | | 20B-15001-03 | GASKET(HEAD) | 1 | PC. |
| | 3 | | 20B-15001-33 | GASKET(HEAD) | 1 | PC. |
| 024 | | | 011-01000-40 | FLANGE BOLT | 4 | PC. |
| 025 | | | 001-04083-50 | FLANGE BOLT | 2 | PC. |
| 026 | | | 20B-15501-01 | ROCKER COVER CP | 1 | PC. |
| 027 | | | 20B-16001-03 | GASKET(ROCKER COVER) | 1 | PC. |
| 028 | | | 031-00600-10 | DOWEL PIN | 2 | PC. |
| 029 | | | 011-00600-20 | FLANGE BOLT M6X1.0X14DX12L | 4 | PC. |
| 030 | 1 | | 20B-99001-07 | GASKET SET | 1 | PC. |
| | | INC. | | Item No. 1-29 | | |
| | 3 | | 20B-99001-37 | GASKET SET | 1 | PC. |
| | | INC. | | Item No.13,19,23,27,67,77,79 and 80 | | |
| 031 | | | 20B-20701-01 | CRANK SHAFT CP | 1 | PC. |
| 032 | | | 018-01800-10 | FLANGE NUT M18X15X31DX14H | 1 | PC. |
| 033 | | | 005-32054-01 | WOODRUFF KEY | 1 | PC. |
| 034 | 1 | | 20B-22501-00 | CONNECTING ROD AY | 1 | PC. |
| | 2 | | 20B-22503-00 | CONNECTING ROD AY | 1 | PC. |
| 035 | | | 001-05084-00 | FLANGE BOLT | 2 | PC. |
| 036 | | | 263-23301-33 | PISTON PIN | 1 | PC. |
| 037 | 3 | | 22B-23401-J7 | * PISTON | 1 | PC. |
| | | INC. | | * Item No. 38 | 1 | PC. |
| 037A | 3 | | 22B-23403-J7 | * PISTON O/S 0.25 | 1 | PC. |
| | | INC. | | * Item No. 038A | 1 | PC. |

| Item No | Type | Ref | Part No | Description | Qty | Unit |
|---------|------|------|--------------|--|-----|------|
| 037B | 3 | | 22B-23404-J7 | * PISTON O/S 0.5 | 1 | PC. |
| | | INC. | | * Item No. 038B | 1 | PC. |
| 038 | 2 | | 22B-23501-07 | * PISTON RING SET (A component of 22B-23401-J7) | 1 | PC. |
| 038A | 2 | | 22B-23502-07 | * PISTON RING SET O/S 0.25 (A component of 22B-23403-J7) | 1 | SET |
| 038B | 2 | | 22B-23503-07 | * PISTON RING SET O/S 0.5 (A component of 22B-23404-J7) | 1 | SET |
| 039 | | | 056-52100-20 | CLIP | 2 | PC. |
| 040 | | | 20B-31602-00 | CAMSHAFT AY | 1 | PC. |
| | | INC. | | Item No. 43-46 | | |
| 041 | 1 | | 20B-35101-11 | PIN(CAM SHAFT)CP | 1 | PC. |
| | | INC. | | Item No. 42 | | |
| | 2 | | 20B-35101-21 | PIN(CAM SHAFT)CP | 1 | PC. |
| | | INC. | | Item No. 42 | | |
| 042 | 1 | | 024-00700-20 | O-RING (Component of Item No 41 Type 1) | 1 | PC. |
| | 2 | | 024-00700-21 | O-RING (Component of Item No 41 Type 2) | 1 | PC. |
| 043 | | | 005-19041-00 | SPRING PIN | 2 | PC. |
| 044 | 2 | | 277-36401-13 | RELEASE LEVER | 1 | PC. |
| 045 | | | 20B-36501-03 | CLIP | 1 | PC. |
| 046 | | | 20B-38701-03 | RETURN SPRING | 1 | PC. |
| 047 | | | 246-33611-03 | VALVE SPRING | 2 | PC. |
| 048 | | | 246-33711-13 | SPRING RETAINER | 2 | PC. |
| 049 | | | 20B-33401-H3 | INTAKE VALVE | 1 | PC. |
| 050 | | | 20B-33501-H3 | EXHAUST VALVE | 1 | PC. |
| 051 | | | 246-35501-03 | COLLET-VALVE | 4 | PC. |
| 052 | | | 20B-35601-H1 | TIMING CHAIN CP | 1 | PC. |
| 053 | 2 | | 20A-36911-03 | TENSIONER | 1 | PC. |
| 054 | | | 277-37101-03 | SPRING(TENSIONER) | 1 | PC. |
| 055 | | | 277-36902-03 | PIN(TENSIONER) 6DX13DX34L | 1 | PC. |
| 056 | 2 | | 20A-36913-03 | CHAIN GUIDE | 1 | PC. |
| 057 | | | 20B-35001-01 | PIN(ROCKER)CP | 1 | PC. |
| | | INC. | | Item No. 58 | | |
| 058 | | | 003-13060-00 | CLIP | 1 | PC. |
| 059 | | | 20B-36101-00 | ROCKER ARM(IN) AY | 1 | PC. |
| | | INC. | | Item No. 61,63 | | |
| 060 | | | 20B-36102-10 | ROCKER ARM(EX) AY | 1 | PC. |
| | | INC. | | Item No. 62,64 | | |
| 061 | | | 014-90500-20 | ADJUST SCREW M5X23 | 1 | PC. |
| 062 | | | 014-90500-20 | ADJUST SCREW M5X23 | 1 | PC. |
| 063 | | | 017-00500-30 | NUT M5 | 1 | PC. |
| 064 | | | 017-00500-30 | NUT M5 | 1 | PC. |
| 065 | | | 011-00600-10 | FLANGE BOLT M6X1.0X14DX8L | 1 | PC. |
| 066 | | | 20B-30103-A0 | MUFFLER AY | 1 | PC. |
| 067 | 1 | | 20B-35201-03 | GASKET(MUFFLER) | 1 | PC. |
| | 2 | | 20B-35201-13 | GASKET(MUFFLER) | 1 | PC. |
| 068 | | | 270-35201-01 | GASKET COMPL.(EXHAUST) | 1 | PC. |
| 069 | | | 002-38080-00 | FLANGE NUT | 2 | PC. |
| 070 | | | 002-18080-00 | NUT | 2 | PC. |
| 071 | | | 002-38080-00 | FLANGE NUT | 1 | PC. |
| 072 | | | 003-20080-00 | SPRING WASHER | 2 | PC. |
| 073 | | | 011-00800-10 | FLANGE BOLT | 1 | PC. |
| 074 | | | 011-00803-20 | FLANGE BOLT | 1 | PC. |
| 075 | | | 20B-34001-01 | EXHAUST PIPE CP | 1 | PC. |
| | | INC. | | Item No. 76 | | |
| 076 | | | 010-50802-90 | MUFFLER STUD | 2 | PC. |
| 077 | 1 | | 20B-35903-03 | GASKET 3 | 1 | PC. |

| Item No | Type | Ref | Part No | Description | Qty | Unit |
|---------|------|------|--------------|----------------------------|-----|------|
| | | | 20B-35903-13 | GASKET 3 | 1 | PC. |
| 078 | 1 | | 20B-32901-J1 | INSULATOR CP | 1 | PC. |
| | | INC. | | Item No. 79-80 | | |
| | 2 | | 20B-32901-K1 | INSULATOR CP | 1 | PC. |
| | | INC. | | Item No. 79-80 | | |
| 079 | | | 20B-35902-H3 | GASKET 2 | 1 | PC. |
| 080 | | | 20B-35901-H3 | GASKET 1 | 1 | PC. |
| 081 | | | 002-38060-00 | FLANGE NUT M6 | 2 | PC. |
| 082 | | | 001-04061-60 | FLANGE BOLT | 1 | PC. |
| 083 | | | X85-11001-70 | RUBBER PIPE | 1 | PC. |
| 084 | 2 | | 20B-32622-J0 | AIR CLEANER AY | 1 | PC. |
| | | INC. | | Item No. 85-90 | | |
| 085 | 2 | | 073-20044-30 | CHOKE LABEL | 1 | PC. |
| 086 | 1 | | 20B-32631-H8 | BODY CP | 1 | PC. |
| | 2 | | 20B-32630-J8 | BODY CP | 1 | PC. |
| 087 | | | 20B-32720-H8 | PACKING | 1 | PC. |
| 088 | | | 20B-32640-H8 | COVER CP | 1 | PC. |
| 089 | | | 20B-32650-H8 | BOLT | 1 | PC. |
| 090 | | | 20B-32611-H8 | ELEMENT | 1 | PC. |
| 091 | 1 | | 20B-42301-00 | GOVERNOR LEVER AY | 1 | PC. |
| | | INC. | | Item No. 98-99 | | |
| | 3 | | 20B-42301-20 | GOVERNOR LEVER AY | 1 | PC. |
| | | INC. | | Item No. 98-99 | | |
| 092 | | | 20B-42201-01 | GOVERNOR SHAFT CP | 1 | PC. |
| | | INC. | | Item No. 96 | | |
| 093 | | | 003-11080-00 | WASHER | 1 | PC. |
| 094 | | | 20B-42701-13 | GOVERNOR ROD | 1 | PC. |
| 095 | | | 20B-42801-13 | ROD SPRING | 1 | PC. |
| 096 | | | 003-13060-00 | CLIP | 1 | PC. |
| 097 | | | 003-13060-00 | CLIP | 1 | PC. |
| 098 | | | 001-14062-50 | BOLT & WASHER ASS'Y | 1 | PC. |
| 099 | | | 018-60600-20 | NUT M6X1.0X4.9H | 1 | PC. |
| 100 | | | 20B-42501-13 | GOVERNOR SPRING | 1 | PC. |
| 101 | | | 20B-43351-03 | SPEED CONTROL LEVER | 1 | PC. |
| 102 | | | 004-31064-00 | SCREW | 1 | PC. |
| 103 | | | 002-27060-00 | NUT M6 | 1 | PC. |
| 104 | | | 20B-46001-21 | SPEED CONTROL BKT CP | 1 | PC. |
| 105 | | | 002-35060-00 | SELF LOCK NUT | 1 | PC. |
| 106 | | | 011-00600-20 | FLANGE BOLT M6X1.0X14DX12L | 1 | PC. |
| 107 | | | 20B-51201-H1 | BLOWER HOUSING CP | 1 | PC. |
| 108 | | | 20B-91702-03 | LABEL(MAKITA) | 1 | PC. |
| 109 | | | 073-20057-60 | LABEL(WARNING) | 1 | PC. |
| 110 | | | 001-04061-60 | FLANGE BOLT | 5 | PC. |
| 111 | | | 279-52711-11 | BAFFLE 1 (CASE) COMPLETE | 1 | PC. |
| 112 | | | 20B-52702-H1 | BAFFLE 2(HEAD) CP | 1 | PC. |
| 113 | | | 20B-55001-03 | DUCT(CASE) | 1 | PC. |
| 114 | | | 001-65081-20 | BOLT | 1 | PC. |
| 115 | | | 011-00600-20 | FLANGE BOLT M6X1.0X14DX12L | 3 | PC. |
| 116 | | | 011-00600-20 | FLANGE BOLT M6X1.0X14DX12L | 3 | PC. |
| 117 | | | 20B-54101-H3 | COOLING BLOWER | 1 | PC. |
| 118 | | | 013-00602-81 | BOLT AND WASHER ASSY | 4 | PC. |
| 119 | | | 20B-55101-02 | RECOIL BRACKET UN | 1 | PC. |
| 120 | | | 010-00804-40 | BOLT | 1 | PC. |
| 121 | | | 010-00804-50 | BOLT | 2 | PC. |

| Item No | Type | Ref | Part No | Description | Qty | Unit |
|---------|------|------|--------------|---------------------------------------|-----|------|
| 122 | | | 002-38060-00 | FLANGE NUT M6 | 3 | PC. |
| 123 | 3 | | 20B-50301-H0 | RECOIL STARTER AY | 1 | PC. |
| | | INC. | | Item No. 124-133 | | |
| 124 | | | 277-50155-08 | SPIRAL SPRING | 1 | PC. |
| 125 | | | 20B-50120-08 | REEL | 1 | PC. |
| 127 | | | 261-50100-18 | STARTER KNOB | 1 | PC. |
| 128 | | | 161-50125-08 | RATCHET | 2 | PC. |
| 129 | | | 227-50131-08 | FRICTION SPRING | 1 | PC. |
| 130 | | | 227-50135-08 | RETURN SPRING | 2 | PC. |
| 131 | | | 161-50150-08 | RATCHET GUIDE | 1 | PC. |
| 132 | | | 20B-50145-08 | STARTER PULLEY | 1 | PC. |
| 133 | | | 20B-50101-08 | SET SCREW | 1 | PC. |
| 134 | | | 31H-36005-01 | FUEL TANK CP | 1 | PC. |
| 135 | | | 043-05900-11 | FUEL TANK CAP ASSY | 1 | PC. |
| 136 | | | 064-15400-11 | FUEL FILTER | 1 | PC. |
| 137 | | | 064-80015-00 | FUEL GAUGE COMPLETE | 1 | PC. |
| 138 | | | 011-00602-20 | FLANGE BOLT | 4 | PC. |
| 139 | 1 | | 085-10618-60 | RUBBER PIPE | 1 | PC. |
| | 2 | | 085-10618-61 | RUBBER PIPE | 1 | PC. |
| 140 | | | 056-11000-30 | HOSE CLAMP | 2 | PC. |
| 141 | | | 391-39000-13 | RUBBER (TANK) | 4 | PC. |
| 142 | | | 064-20064-00 | FUEL STRAINER ASS'Y | 1 | PC. |
| | | INC. | | Item No. 143-147 | | |
| 143 | | | 064-20064-20 | SCREEN | 1 | PC. |
| 144 | | | 064-20064-10 | RUBBER PACKING | 1 | PC. |
| 145 | | | 064-20042-10 | CUP | 1 | PC. |
| 146 | | | 064-20064-30 | NUT | 1 | PC. |
| 147 | | | 064-20064-40 | RUBBER PACKING | 1 | PC. |
| 148 | 3 | | 20E-62302-30 | CARBURETOR AY | 1 | PC. |
| | | INC. | | Item No. 149-170 | | |
| 149 | | | 20B-62535-08 | VALVE,THROTTLE | 1 | PC. |
| 150 | | | 261-62352-08 | SCREW VALVE SET | 2 | PC. |
| 151 | | | 20B-62526-08 | VALVE,CHOKE | 1 | PC. |
| 152 | | | 261-62420-08 | JET,SLOW | 1 | PC. |
| 153 | | | 20B-62357-08 | NEEDLE CP,IDLEADJUST (No longer used) | 1 | PC. |
| 154 | | | 20B-62527-18 | CHOKE SHAFT | 1 | PC. |
| 155 | | | 20B-62530-08 | SHAFT AY,THROTTLE | 1 | PC. |
| 156 | | | 20B-62500-08 | VALVE AY FLOAT | 1 | PC. |
| 157 | | | 263-62515-08 | PIN,FLOAT | 1 | PC. |
| 158 | | | 20B-62550-08 | CHAMBER CP,FLOAT | 1 | PC. |
| 159 | | | 20B-62505-08 | FLOAT AY | 1 | PC. |
| 160 | | | 20B-62437-08 | JET,MAIN (#108) | 1 | PC. |
| 161 | | | 20B-62354-08 | SCREW,DRAIN | 1 | PC. |
| 162 | | | 20B-62353-08 | SCREW,THRO.ADJUST | 1 | PC. |
| 163 | | | 20B-62445-08 | SPRING,THRO.ADJUST | 1 | PC. |
| 164 | | | 20B-62453-08 | SCREW | 2 | PC. |
| 165 | | | 258-62554-08 | FILTER CHOKE SHAFT | 1 | PC. |
| 166 | | | 226-62580-08 | AIR FILTER | 1 | PC. |
| 167 | | | 20B-62542-08 | O RING | 1 | PC. |
| 168 | | | 20B-62541-08 | O RING | 1 | PC. |
| 169 | | | 20B-62540-08 | SPACER | 1 | PC. |
| 170 | | | 20B-62520-08 | SPACER | 1 | PC. |
| 171 | | | 20B-79230-H1 | FLYWHEEL CP | 1 | PC. |
| 172 | | | 20B-79430-H1 | IGNITION COIL CP | 1 | PC. |

| Item No | Type | Ref | Part No | Description | Qty | Unit |
|---------|------|-----|--------------|---------------------------|-----|------|
| 173 | | | 001-14063-00 | BOLT AND WASHER ASSY | 2 | PC. |
| 174 | | | 20B-73101-01 | WIRE 1 CP | 1 | PC. |
| 175 | | | 214-79006-01 | CLAMP COMPLETE | 1 | PC. |
| 176 | | | 011-00600-10 | FLANGE BOLT M6X1.0X14DX8L | 1 | PC. |
| 178 | | | 065-50003-20 | SPARK PLUG CAP | 1 | PC. |
| 179 | | | 20B-73102-01 | WIRE 2 CP | 1 | PC. |
| 180 | 2 | | 279-76301-61 | * OIL LEVEL SENSOR COM | 1 | PC. |
| 181 | | | KU3-11076-01 | FLOAT C/U CP10 | 1 | PC. |
| 182 | | | 013-00602-60 | BOLT AND WASHER ASSEMBLY | 2 | PC. |
| 183 | | | 004-36041-20 | SCREW AND WASHER AY | 2 | PC. |
| 184 | 1 | | 20B-75501-03 | WIRE CLAMP | 1 | PC. |
| | 2 | | 20B-75501-13 | WIRE CLAMP | 1 | PC. |
| 185 | | | 015-20600-50 | TAPPING BOLT | 1 | PC. |
| 186 | | | 36D-20003-08 | STATOR CP | 1 | PC. |
| 187 | 2 | | FJ9-04560-02 | ROTOR COMPLETE | 1 | PC. |
| 188 | | | 36E-20202-08 | AVR CP | 1 | PC. |
| 189 | | | 36A-20300-08 | BRUSH CP | 1 | PC. |
| 190 | 2 | | 36D-22000-08 | GEN BRACKET 1 | 1 | PC. |
| 191 | | | 36A-22100-08 | GEN BRACKET N | 1 | PC. |
| 192 | | | 36C-22200-08 | GEN BRACKET 2 | 1 | PC. |
| 193 | | | 36C-23000-08 | BRACKET COVER | 1 | PC. |
| 194 | | | 36C-25001-08 | BUSHING | 1 | PC. |
| 195 | | | 36E-21001-08 | STATOR BOLT | 4 | PC. |
| 196 | | | 36A-80005-08 | FLANGE BOLT | 4 | PC. |
| 197 | | | 36A-80001-08 | FLANGE BOLT | 2 | PC. |
| 198 | | | 36A-80100-08 | SCREW & WASHER AY | 1 | PC. |
| 199 | | | 36A-80002-08 | FLANGE BOLT | 4 | PC. |
| 200 | | | 36A-25001-08 | DIODE CP | 1 | PC. |
| 201 | | | 36A-80101-08 | SCREW & WASHER AY | 1 | PC. |
| 202 | | | 36C-25002-08 | TUBE | 1 | PC. |
| 203 | | | 36A-25003-08 | GROMMET | 1 | PC. |
| 204 | | | 36A-70000-08 | CONNECTOR(6P) | 1 | PC. |
| 205 | | | 36A-70004-08 | CONNECTOR(4P) | 1 | PC. |
| 206 | | | 36A-70002-08 | CONNECTOR(2P) | 1 | PC. |
| 207 | | | 36A-70101-08 | RETAINER(2P) | 3 | PC. |
| 208 | | | 36A-70100-08 | RETAINER(3P) | 2 | PC. |
| 209 | | | 36A-71013-08 | WIRE(GREEN) | 1 | PC. |
| 210 | | | 36A-71001-08 | WIRE(WHITE) | 1 | PC. |
| 211 | | | 36A-80200-08 | SCREW | 4 | PC. |
| 212 | | | 36E-21101-08 | ROTOR BOLT | 1 | PC. |
| 213 | | | 36C-25004-08 | SPONGE(FILTER) | 1 | PC. |
| 214 | | | 36D-30001-08 | PIPE FRAME CP | 1 | PC. |
| 215 | | | 36C-40001-08 | CONTOROL BOX AY | 1 | PC. |
| 216 | | | 36A-80104-08 | SCREW & WASHER AY | 4 | PC. |
| 217 | | | 36A-80105-08 | SCREW & WASHER AY | 4 | PC. |
| 218 | | | 36D-34000-08 | BRACKET(TANK-A)CP | 1 | PC. |
| 219 | | | 36D-34101-08 | GUIDE PLATE CP | 1 | PC. |
| 220 | | | 36D-34102-08 | PLATE ALT1 | 1 | PC. |
| 221 | | | 36D-34103-08 | PLATE ALT2 | 1 | PC. |
| 222 | | | 36D-34104-08 | SPONGE1(BARRIER) | 1 | PC. |
| 223 | | | 36D-34105-08 | SPONGE2(BARRIER) | 1 | PC. |
| 224 | | | 36A-80300-08 | BOLT & WASHER AY | 12 | PC. |
| 225 | | | 36D-33000-08 | MOUNT BASE CP | 2 | PC. |
| 226 | | | 36A-81002-08 | FLANGE NUT | 8 | PC. |

| Item No | Type | Ref | Part No | Description | Qty | Unit |
|---------|------|-----|--------------|----------------------|-----|------|
| 227 | | | 36A-80006-08 | FLANGE BOLT | 4 | PC. |
| 228 | | | 36A-81003-08 | FLANGE NUT | 6 | PC. |
| 229 | | | 36A-80007-08 | FLANGE BOLT | 2 | PC. |
| 230 | | | 36A-80008-08 | FLANGE BOLT | 1 | PC. |
| 231 | | | 36A-81004-08 | FLANGE NUT | 1 | PC. |
| 232 | | | 36D-37000-08 | MOUNT CP | 4 | PC. |
| 233 | | | 36A-80004-08 | FLANGE BOLT | 1 | PC. |
| 234 | | | 36A-82001-08 | LOCK WASHER | 1 | PC. |
| 235 | | | 36A-25005-08 | SPONGE(GEN) | 2 | PC. |
| 236 | | | 36D-35000-08 | SPONGE(TANK) | 1 | PC. |
| 237 | | | 36C-35001-08 | SPONGE(PANEL) | 1 | PC. |
| 238 | | | 36A-71019-08 | WIRE(GREEN/YELLOW) | 1 | PC. |
| 239 | | | 36A-82202-08 | WASHER | 1 | PC. |
| 240 | | | 36D-41004-08 | CONTROL PANEL CP | 1 | PC. |
| 241 | | | 36A-49000-08 | SWITCH(ENGINE) | 1 | PC. |
| 242 | | | 36A-47002-08 | AC CONCENT(GFCI) | 2 | PC. |
| 243 | | | 36B-47000-08 | AC CONCENT(L5-30) | 1 | PC. |
| 244 | | | 36B-47001-08 | AC CONCENT(L14-30) | 1 | PC. |
| 245 | | | 36D-48000-08 | CIRCUIT BREAKER(23A) | 1 | PC. |
| 246 | | | 36A-49003-08 | PILOT LAMP | 1 | PC. |
| 247 | | | 36A-47101-08 | DC CONCENT | 1 | PC. |
| 248 | | | 36A-48000-08 | CIRCUIT BREAKER(10A) | 1 | PC. |
| 249 | | | 36D-48001-08 | CIRCUIT BREAKER(20A) | 2 | PC. |
| 250 | | | 36D-48002-08 | CIRCUIT BREAKER(30A) | 2 | PC. |
| 251 | | | 36B-49000-08 | SWITCH(V SELECT) | 1 | PC. |
| 252 | | | 36A-80080-08 | STUD BOLT | 1 | PC. |
| 253 | | | 36A-82000-08 | LOCK WASHER | 1 | PC. |
| 254 | | | 36A-81000-08 | FLANGE NUT | 3 | PC. |
| 255 | | | 36A-82100-08 | CAP WASHER | 1 | PC. |
| 256 | | | 36A-82200-08 | WASHER | 3 | PC. |
| 257 | | | 36A-82300-08 | SPRING WASHER | 1 | PC. |
| 258 | | | 36A-81100-08 | WING NUT | 1 | PC. |
| 259 | | | 36A-70003-08 | CONNECTOR(2P) | 1 | PC. |
| 260 | | | 36A-70001-08 | CONNECTOR(6P) | 1 | PC. |
| 261 | | | 36A-70101-08 | RETAINER(2P) | 3 | PC. |
| 262 | | | 36A-70100-08 | RETAINER(3P) | 2 | PC. |
| 263 | | | 36A-80202-08 | SCREW | 10 | PC. |
| 264 | | | 36A-81001-08 | FLANGE NUT | 10 | PC. |
| 265 | | | 36A-80103-08 | SCREW & WASHER AY | 4 | PC. |
| 266 | | | 36A-70300-08 | TERMINAL | 1 | PC. |
| 267 | | | 36A-70007-08 | CONNECTOR(4P) | 1 | PC. |
| 268 | | | 36C-49900-08 | GROMMET | 1 | PC. |
| 269 | | | 36D-60001-08 | CORRUGATED TUBE(150) | 1 | PC. |
| 270 | | | 36A-71076-08 | WIRE(WHITE) | 1 | PC. |
| 271 | | | 36A-71077-08 | WIRE(BLUE) | 2 | PC. |
| 272 | | | 36A-71078-08 | WIRE(GREEN/YELLOW) | 1 | PC. |
| 273 | | | 36A-71079-08 | WIRE(GREEN/YELLOW) | 2 | PC. |
| 274 | | | 36A-71080-08 | WIRE(GREEN/YELLOW) | 1 | PC. |
| 275 | | | 36A-71081-08 | WIRE(BLACK) | 1 | PC. |
| 276 | | | 36A-71082-08 | WIRE(RED) | 1 | PC. |
| 277 | | | 36A-71083-08 | WIRE(RED) | 2 | PC. |
| 278 | | | 36A-71084-08 | WIRE(GREEN/YELLOW) | 1 | PC. |
| 279 | | | 36A-71085-08 | WIRE(BLUE) | 1 | PC. |
| 280 | | | 36A-71086-08 | WIRE(BLUE) | 1 | PC. |

| Item No | Type | Ref | Part No | Description | Qty | Unit |
|---------|------|-----|--------------|----------------------|-----|------|
| 281 | | | 36A-71087-08 | WIRE(BLUE) | 1 | PC. |
| 282 | | | 36A-71088-08 | WIRE(BLUE) | 1 | PC. |
| 283 | | | 36A-71089-08 | WIRE(BLUE) | 2 | PC. |
| 284 | | | 36A-71090-08 | WIRE(RED) | 1 | PC. |
| 285 | | | 36A-71091-08 | WIRE(GREEN/YELLOW) | 1 | PC. |
| 286 | | | 36A-71092-08 | WIRE(RED) | 1 | PC. |
| 287 | | | 36A-71093-08 | WIRE(RED) | 1 | PC. |
| 288 | | | 36A-71094-08 | WIRE(GRAY) | 1 | PC. |
| 289 | | | 36A-71095-08 | WIRE(ORANGE) | 1 | PC. |
| 290 | | | 36A-71096-08 | WIRE(WHITE) | 1 | PC. |
| 291 | | | 36A-71097-08 | WIRE(BLACK) | 1 | PC. |
| 292 | | | 36A-98012-08 | LABEL(SNOW-RAIN) | 1 | PC. |
| 293 | | | 36A-98013-08 | LABEL(CO GAS) | 1 | PC. |
| 294 | | | 36D-91005-08 | LABEL(SPEC) | 1 | PC. |
| 295 | | | 36D-90004-08 | LABEL(TRADE MARK) | 1 | PC. |
| 296 | | | 36A-98015-08 | LABEL(SYMBOL-TANK) | 1 | PC. |
| 297 | | | 36A-98016-08 | LABEL(HOT & GAS) | 1 | PC. |
| 298 | | | 36A-98017-08 | LABEL(FUEL_COCK) | 1 | PC. |
| 299 | | | 36A-98018-08 | LABEL(BARCODE) | 1 | PC. |
| 300 | | | 36A-98019-08 | LABEL(CAUTION_ONLY) | 1 | PC. |
| 301 | | | 36A-98020-08 | LABEL(CAUTION_BRUSH) | 1 | PC. |
| 302 | | | 36A-79000-08 | BATTERY CABLE | 1 | PC. |

ACCESSORIES

- See catalogue or visit www.makita.ca for more optional accessories -

| | | | | | | |
|-----|--|--|--------------|--------------------|--|-------|
| A01 | | | 224-90303-00 | ACCESSORY TOOL KIT | | 1 SET |
| A02 | | | 20B-50110-08 | STARTER ROPE | | 1 PC. |
| A03 | | | 065-01402-10 | SPARK PLUG (BR6HS) | | 1 PC. |

SERVICE CHANGES

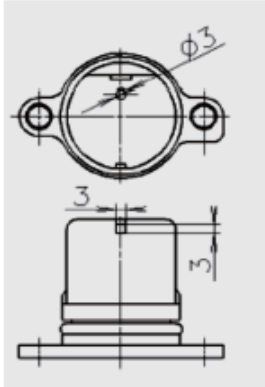
1. Change on Oil Sensor Complete

(TI#Y07024)

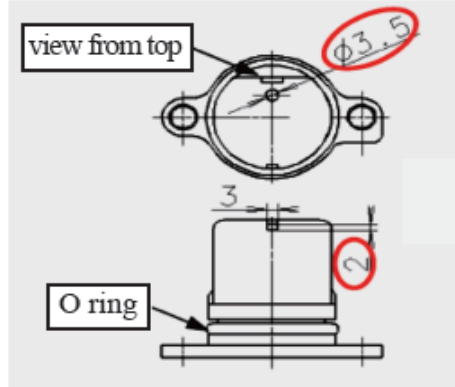
| Item No. | Description | Type 1 | Type 2 |
|----------|---|--------------|--------------|
| 180 | Oil Sensor Complete>Oil Level Sensor Complete | 279-76301-51 | 279-76301-61 |

Type 1

Type 2



Color of Protection tube: gray



Color of Protection tube: blue

2. Change on PISTON RING SET

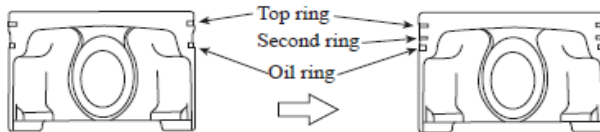
(TI#Y06410)

(TI#Y07089)

| Item No. | Description | Type 1 | Type 2 | Type 3 |
|----------|-----------------|--------------|--------------|-------------------|
| 37 | Piston | 20B-23401-H3 | 20B-23401-J3 | 22B-23401-J7 |
| 38 | Piston Ring Set | 20B-23501-07 | | Included in above |
| 37A | Piston O/S 0.25 | 20B-23403-H3 | 20B-23403-J3 | 22B-23403-J7 |
| 38A | Piston Ring Set | 20B-23502-07 | | Included in above |
| 37B | Piston O/S 0.5 | 20B-23404-H3 | 20B-23404-J3 | 22B-23404-J7 |
| 38B | Piston Ring Set | 20B-23503-07 | | Included in above |

Type 2 > Type 3

- Piston and Piston ring set have been changed as drawn below.
 Note: Piston set (22B-23401-J7), Piston set o/s 0.25 (22B-23403-J7) and Piston set o/s 0.5 (22B-23404-J7) includes the following rings (Top ring, Second ring and Oil ring).



Two kinds of Piston rings are fit into each groove.

Three kinds of Piston rings are fit into each groove.
 Piston set includes Piston ring